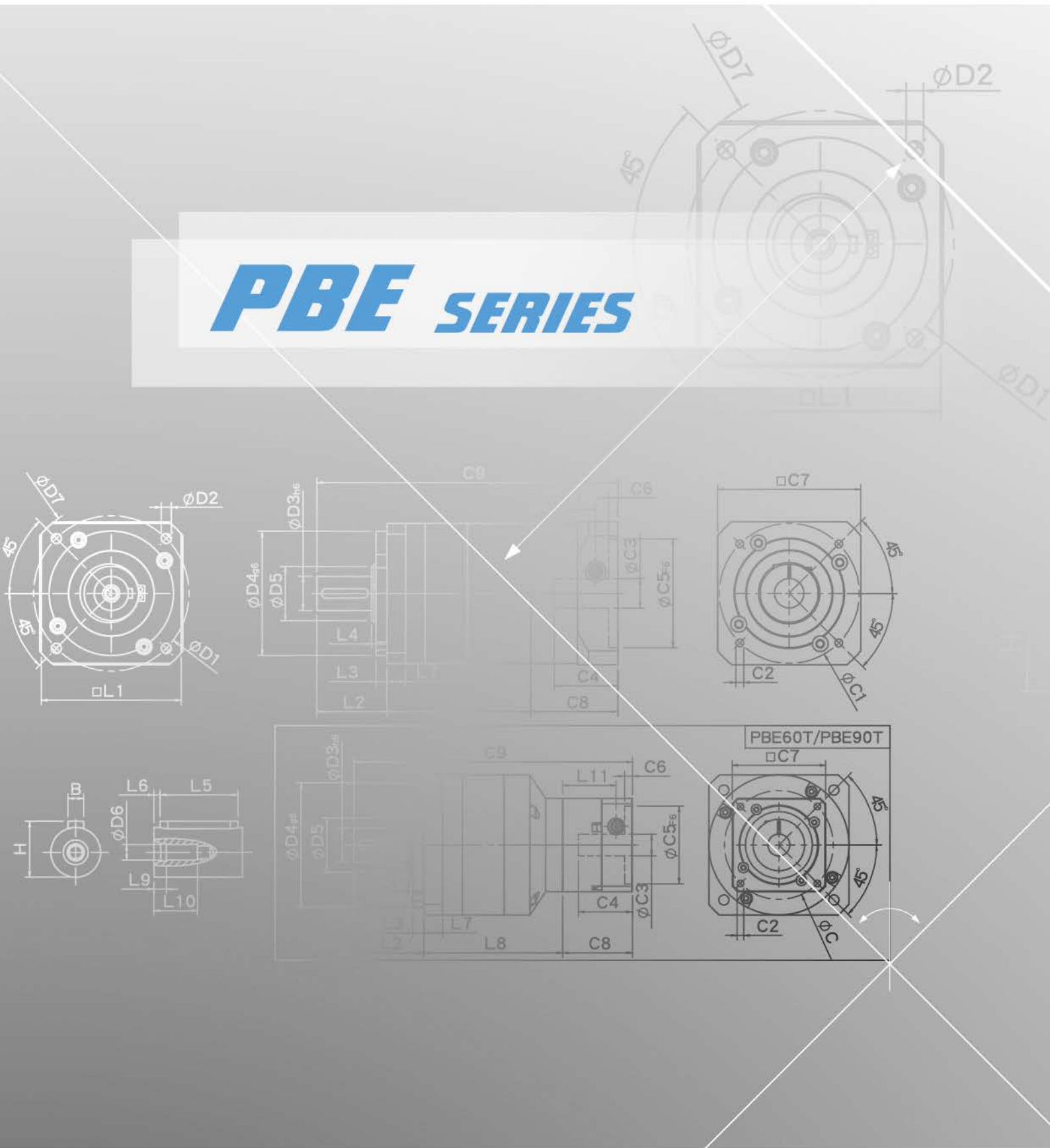
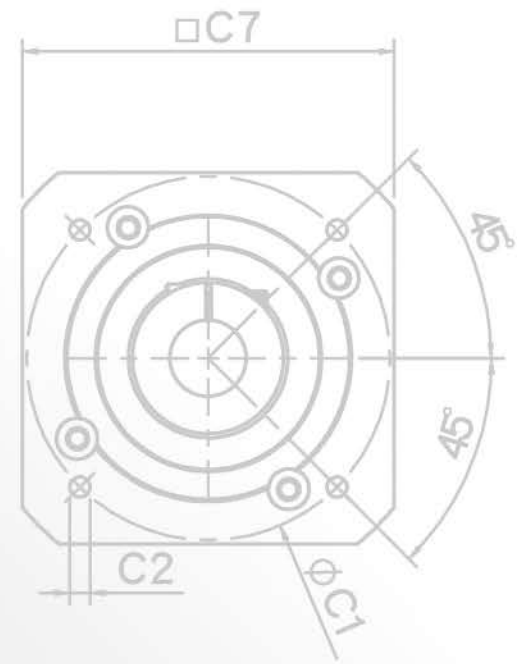
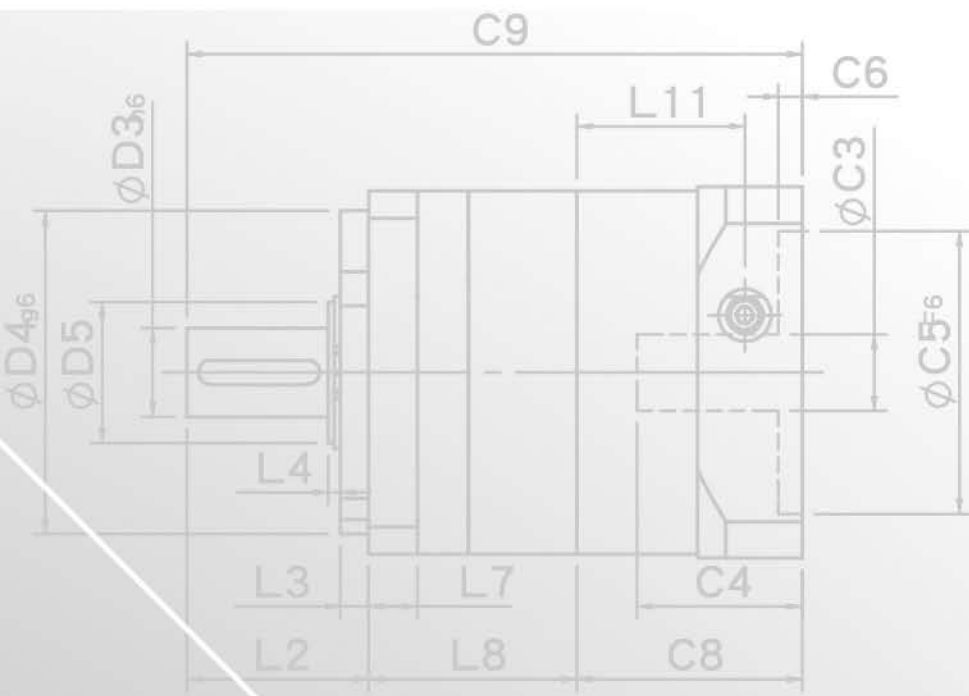
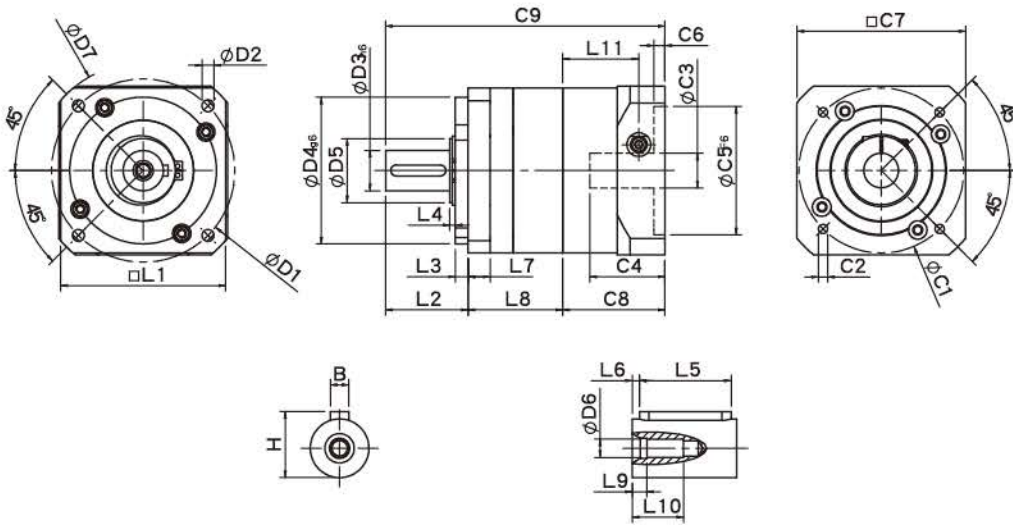


PBE SERIES





PBE Single Stage Dimensions PBE單段外型尺寸圖



Specifications 規格

Unit:mm

尺寸 Dimensions	PBE42	PBE60	PBE90
D1	50	70	100
D2	3.4	5.5	6.5
D3 _{h6}	13	16	22
D4 _{g6}	35	50	80
D5	15	20	35
D6	M4x0.7P	M5x0.8P	M8x1.25P
D7	56	80	118
L1	42.6(44) ¹	60	90
L2	26	36	45
L3	5.5	5	7
L4	2.6	2.7	3
L5	15	25	30
L6	2	2	3
L7	8	10	12
L8	32.4	49.6	54.4
L9	4	4	4.5
L10	14	16.5	20.5
L11	26.9	34.3	41.5
C1 ²	46	70	90
C2 ²	M4x0.7P	M5x0.8P	M6x1.0P
C3 ²	≤8/≤11	≤14/≤19	≤19/≤24/≤28
C4 ²	26.5	33.5	41
C5 ² _{F6}	30	50	70
C6 ²	4	4	6
C7 ²	42.6	60	92
C8 ²	36.4	44.8	55.8
C9 ²	94.8	130.4	155.2
B	5	5	6
H	15	18	24.5

★ C1~C9是公製標準馬達連接板尺寸,請依所選用的馬達決定。

★ 本公司有權針對以上數據規格逕行設計變更不先行告知。

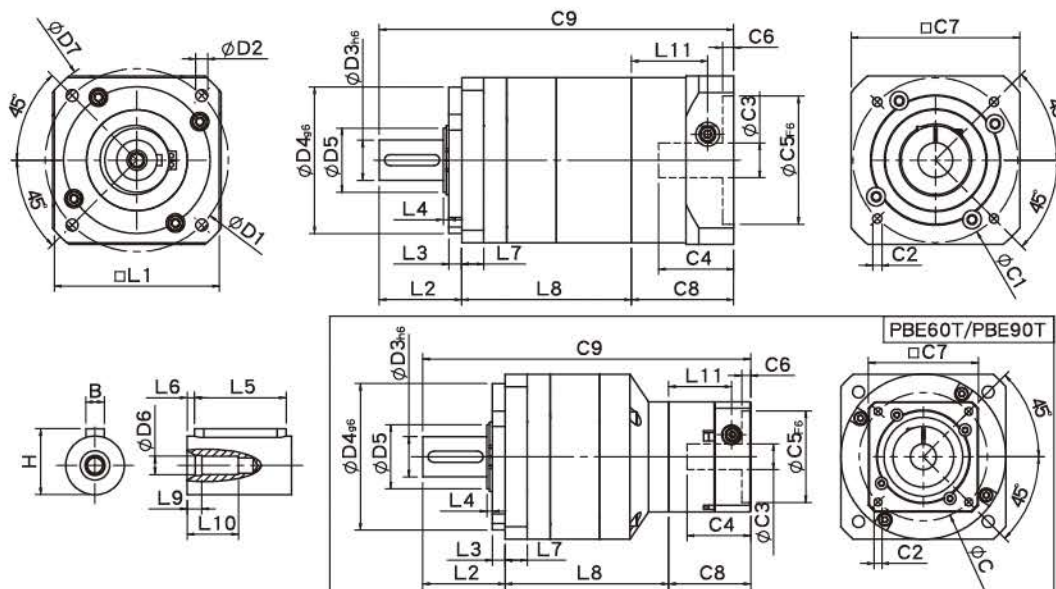
★ 註1: 10比時,L1=44.

★ C1~C9 are motor specific dimensions(metric std shown), Size may vary according to motor flange.

★ Specification subject to change without notice.

★ L1=44 when gear ratio is 10.

PBE Double Stage Dimensions PBE雙段外型尺寸圖



Specifications 規格

Unit:mm

尺寸 Dimensions	PBE42	PBE60/PBE60T		PBE90/PBE 90T	
D1	50	70		100	
D2	3.4	5.5		6.5	
D3 _{h6}	13	16		22	
D4 _{g6}	35	50		80	
D5	15	20		35	
D6	M4x0.7P	M5x0.8P		M8x1.25P	
D7	56	80		118	
L1	42.6	60		90	
L2	26	36		45	
L3	5.5	5		7	
L4	2.6	2.7		3	
L5	15	25		30	
L6	2	2		3	
L7	8	10		12	
L8	57.3	80.3	75.9	95.4	92
L9	4	4		4.5	
L10	14	16.5		20.5	
L11	26.9	34.3	26.9	41.55	34.3
C1 ²	46	70	46	90	70
C2 ²	M4x0.7P	M5x0.8P	M4x0.7P	M6x1.0P	M5x0.8P
C3 ²	≤8/≤11	≤14/≤19	≤8/≤11	≤19/≤24/≤28	≤14/≤19
C4 ²	26.5	33.5	26.5	41	33.5
C5 ² F6	30	50	30	70	50
C6 ²	4	4	4	6	4
C7 ²	42.6	60	42.6	92	60
C8 ²	36.4	44.8	36.4	55.8	44.8
C9 ²	119.7	161.1	148.3	196.2	181.8
B	5	5		6	
H	15	18		24.5	

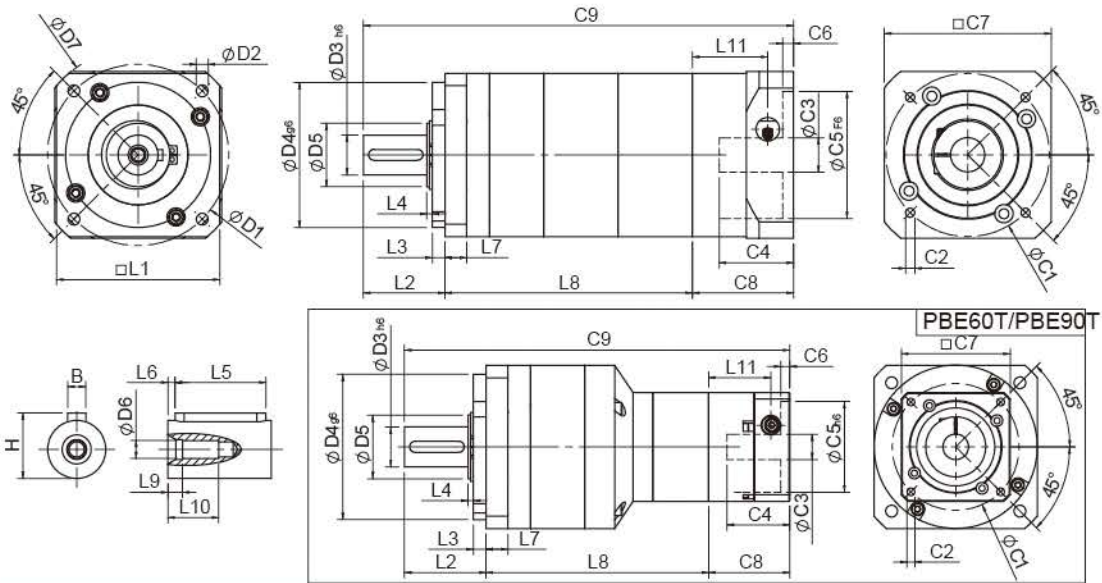
★ C1~C9是公製標準馬達連接板尺寸,請依所選用的馬達決定。

★ 本公司有權針對以上數據規格進行設計變更不先行告知。

★ C1~C9 are motor specific dimensions(metric std shown), Size may vary according to motor flange.

★ Specification subject to change without notice.

PBE三段外型尺寸圖 PBE Triple Stage Dimensions



Specifications 規格

Unit:mm

尺寸 Dimensions	PBE42	PBE60T	PBE90T
D1	50	70	100
D2	3.4	5.5	6.5
D3 _{h6}	13	16	22
D4 _{g6}	35	50	80
D5	15	20	35
D6	M4x0.7P	M5x0.8P	M8x1.25P
D7	56	80	118
L1	42.6	60	90
L2	26	36	45
L3	5.5	5	7
L4	2.6	2.7	3
L5	15	25	30
L6	2	2	3
L7	8	10	12
L8	82.2	100.8	122.7
L9	4	4	4.5
L10	14	16.5	20.5
L11	26.9	26.9	34.3
C1 ²	46	46	70
C2 ²	M4x0.7P	M4x0.7P	M5x0.8P
C3 ²	≤8/≤11	≤8/≤11	≤14/≤19
C4 ²	26.5	26.5	33.5
C5 ² _{F6}	30	30	50
C6 ²	4	4	4
C7 ²	42.6	42.6	60
C8 ²	36.4	36.4	44.8
C9 ²	144.6	173.2	212.5
B	5	5	6
H	15	18	24.5

★ C1~C9是公製標準馬達連接板尺寸,請依所選用的馬達決定。

★ 本公司有權針對以上數據規格進行設計變更不先行告知。

★ 註1: 10比時,L1=44.

★ C1~C9 are motor specific dimensions(metric std shown), Size may vary according to motor flange.

★ Specification subject to change without notice.

★ L1=44 when gear ratio is 10.

○ PBE Specifications Table PBE性能規格共表

規格 Specifications	節數 Stage	減速比 Ratio	PBE-42	PBE-60	PBE-90		
額定輸出力矩 T _{2N} Nominal Output Torque	1	3	4.8	13.6	33.5		
		4	6.3	21.6	58.6		
		5	6.0	20.5	55.1		
		7	5.6	19.2	51.8		
		9	5.4	18.5	50.0		
		10	5.4	17.0	48.0		
	2	節數 Stage	減速比 Ratio	PBE-42	PBE-60(T)	PBE-90(T)	
		2	15	4.8	13.6	33.5	
			20	6.3	21.6	58.6	
			25	6.0	20.5	55.1	
			35	6.0	20.5	55.1	
			45	6.0	20.5	55.1	
			49	5.6	19.2	51.8	
			63	5.6	19.2	51.8	
			81	5.4	18.5	50.0	
		3	節數 Stage	減速比 Ratio	PBE-42	PBE-60(T)	PBE-90(T)
			3	125	6.0	20.5	55.1
				175	6.0	20.5	55.1
				225	6.0	20.5	55.1
				245	6.0	20.5	55.1
				315	6.0	20.5	55.1
405	6.0			20.5	55.1		
567	5.6	19.2		51.8			
729	5.4	18.5	50.0				
急停力矩 T _{2NOT} Emergency Stop Torque	N · m	3.0 倍額定輸出力矩 (3.0 times of Nominal Output Torque) (* 最大輸出力矩 Max. Output Torque T _{2B} =60% of Emergency Stop Torque)					
額定輸入轉速 n _{1N} Nominal Input Speed	rpm	1,2,3	3-729	4000	4000	3000	
最大輸入轉速 n _{1max} Max. Input Speed	rpm	1,2,3	3-729	8000	6000	6000	
背隙 Backlash	arcmin	1	3-10	≤ 9	≤ 8	≤ 7	
		2	15-81	≤ 12	≤ 10	≤ 9	
		3	125-729	≤ 15	≤ 12	≤ 12	
扭轉剛性 Torsional Rigidity	N · m /arcmin	1,2,3	3-729	0.8	2.0	7	
容許徑向力 F _{2re} ¹ Max. Radial Load	N	1,2,3	3-729	540	1040	1700	
容許軸向力 F _{2aB} ¹ Max. Axial Load	N	1,2,3	3-729	360	720	735	
使用溫度 Operating Temp.	°C	1,2,3	3-729	-10 °C ~ +90 °C			
使用壽命 Service Life	hr	1,2,3	3-729	20,000 (10,000/ 連續運轉 Continuous operation)			
效率 Efficiency	%	1	3-10	≥ 95%			
		2	15-81	≥ 90%			
		3	125-729	≥ 85%			
重量 Weight	kg	1	3-10	0.5	1.2	3.1	
		2	15-81	0.7	1.7/1.5	4.7/3.6	
		3	125-729	0.9	2.0/1.8	5.3/4.0	
安裝方向 Mounting Position	-	1,2,3	3-729	任意方向 Any direction			
噪音值 Noise Level ²	dBA/1m	1,2,3	3-729	≤ 62	≤ 64	≤ 67	
防護等級 Protection Class	-	1,2,3	3-729	IP64			
潤滑 Lubrication	-	1,2,3	3-729	全合成潤滑油 Synthetic Lubricant			

* 1. 輸出轉速 100rpm 時,作用於輸出軸中心位置 Applied to the output shaft center @100rpm.

* 2. 3000rpm 空載重測 Measured at 3000rpm with no load

※本公司有權對以上數據規格進行設計變更不先行告知。 The above figures/specifications are subject to change without prior notice.